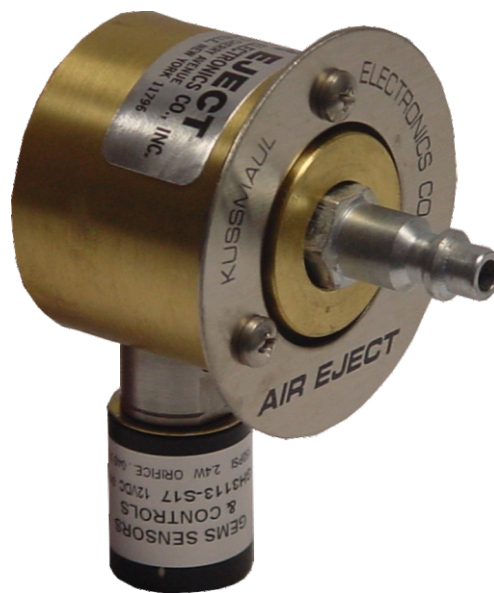


AIR EJECT

AUTOMATIC AIR LINE DISCONNECT



MODEL #: 091-28

2 YEAR WARRANTY

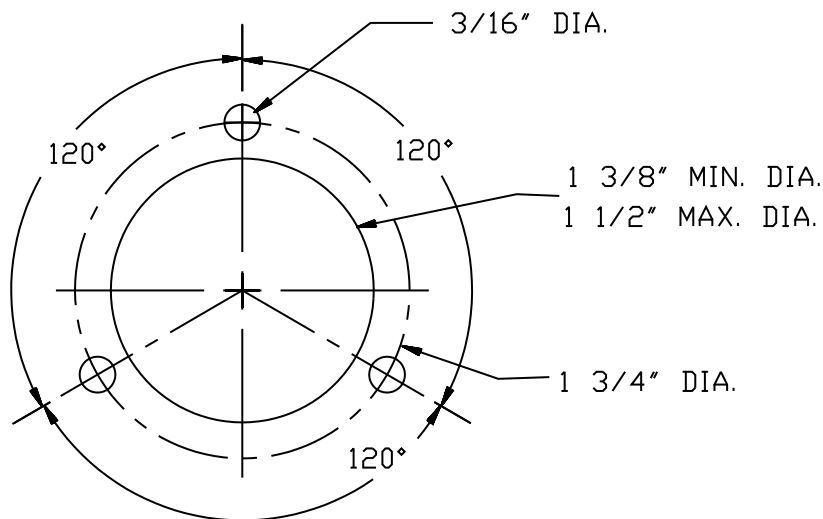
KE KUSSMAUL™
ELECTRONICS
ENERGIZED AND READY, WHEN SECONDS COUNT

INTRODUCTION

The Air Eject is a specially designed pneumatic cylinder with an integral solenoid valve which, when the vehicle is started, disconnects the air line connected to it. The Air Eject is supplied with the following components:

1. Cylinder Assy
2. Check Valve
3. Gasket
4. Mounting Screws
5. Mating Female Connector
6. Bezel

HOLE TEMPLATE



Note: The 1 3/8" diameter hole is critical. If this hole is too small it will prevent piston from striking Female connector.

INSTALLATION INSTRUCTIONS

1. In order to accurately locate the 3 mounting holes first locate the center of the large hole and mark with a center punch mark. Using a compass scribe 1 3/4" dia. circle. Locate the bezel over this scribed circle, mark the 3 mounting holes & center punch each hole.
2. Drill 3 mounting holes, 3/16" diameter. Drill 1 center hole using hole saw or conduit punch. 1 3/8" diameter.
3. Mount the Cylinder Assembly as illustrated in Figure 1.

**Note Location of Arrow
on Check Valve
Arrow Mark is Very Small**

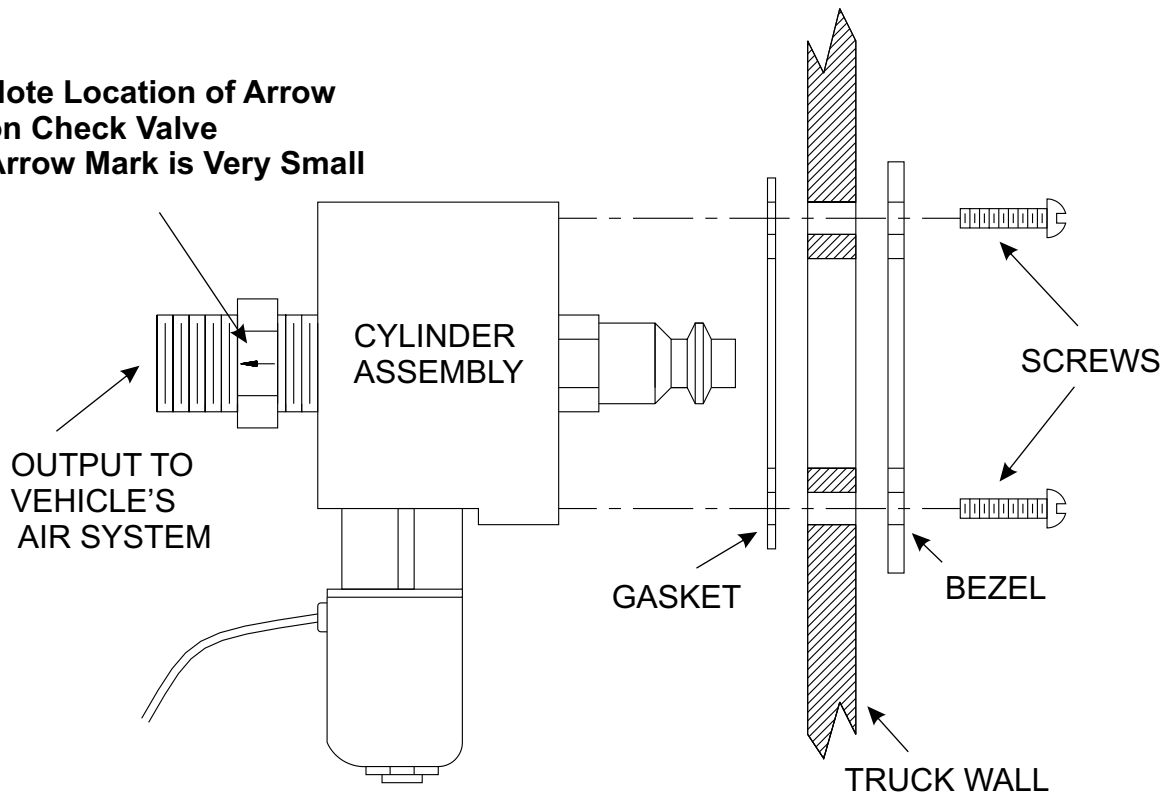


Figure 1

4. Install the check valve being certain that the arrow on the check valve points away from the cylinder assembly.
5. Connect tubing as required to vehicle's air system.

WIRING

1. Wire the solenoid valve to the vehicle's starting circuit. Be certain that the solenoid is energized only while the vehicle is cranking and de-energized at all other times. Refer to Figure 2 for details.

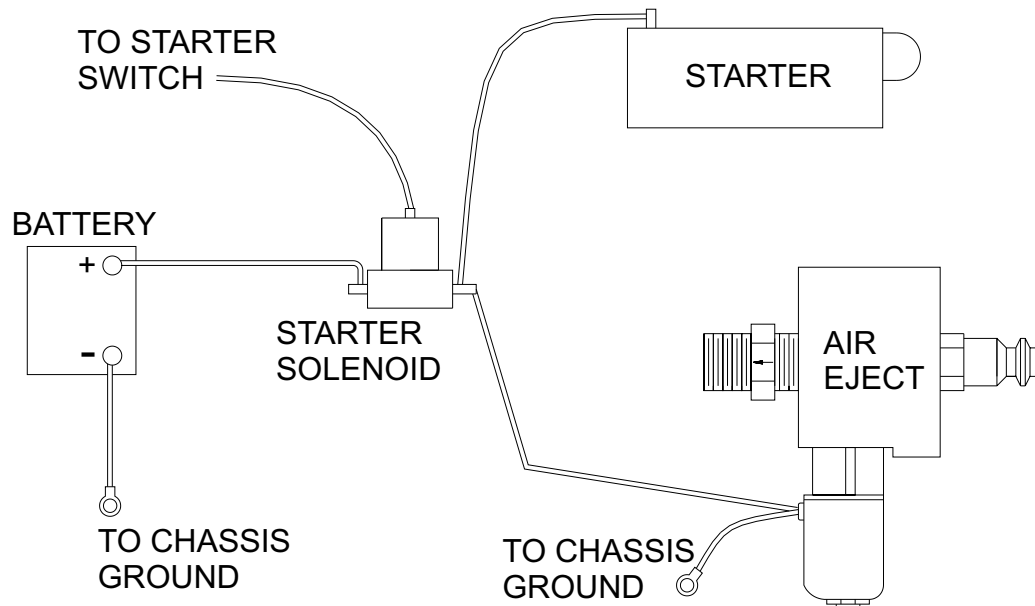


Figure 2

AIR EJECT MAINTENANCE

The Air Eject is a precision device designed and manufactured for many years of reliable service. Periodic servicing, cleaning and lubricating are important.

It is suggested that the cylinder assembly be inspected regularly and cleaned and lubricated at a minimum once every six months.

In applications where contamination by water and road dirt are excessive, more frequent servicing may be required.

Lubrication should be only with non-petroleum based lubricants such as Dow Corning DC-4 Silicone grease, Silicone or Teflon spray.

2 YEAR WARRANTY

All products of Kussmaul Electronics are warranted to be free of defects of material or workmanship. Liability is limited to repairing or replacing at our factory, without charge, any material or defects which become apparent in normal use within 2 years from the date the equipment was shipped. Equipment is to be returned, shipping charges prepaid and will be returned, after repair, shipping charges paid.

Kussmaul Electronics shall have no liability for damages of any kind to associated equipment arising from the installation and /or use of the Kussmaul Electronics products. The purchaser, by the acceptance of the equipment, assumes all liability for any damages which may result from its installation, use or misuse, by the purchaser, his or its employees or others.

OPTIONAL ACCESSORIES



Model # 091-28AK

The Weatherproof Adapter Kit provides a recessed mounting for the Air Eject. A rugged polypropylene sleeve covering the female coupler permits easy manual removal of the air line, and protects the coupler from damage during automatic release.



Model # 091-9G-2

The Auto Clean 2 compressed air filter is the ideal filtering device to provide clean air for the Air Eject, and vehicle air brake system. Uses an ordinary roll of toilet paper as the filter element.