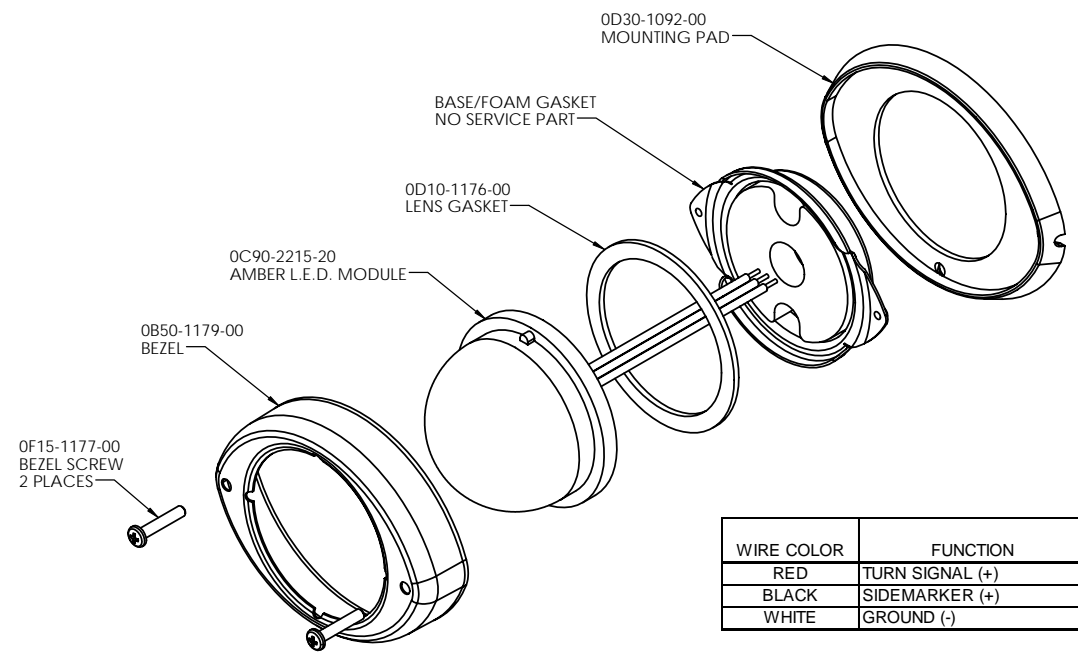
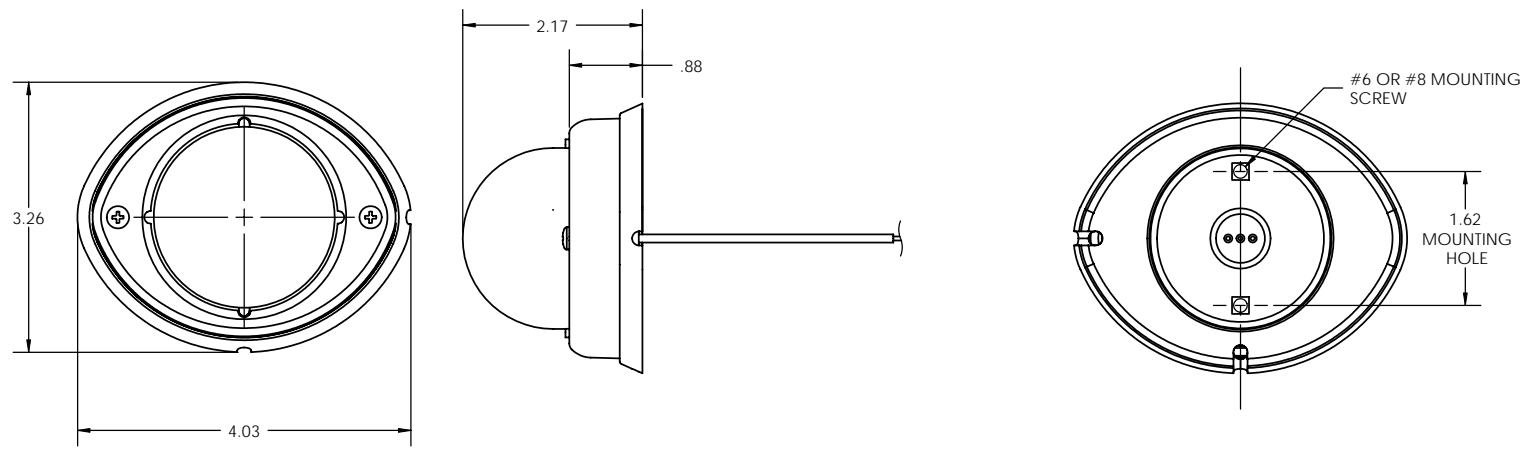


THIS DRAWING AND ALL INFORMATION CONTAINED HEREIN IS THE PROPERTY OF WELDON TECHNOLOGIES, INC. AND MAY NOT BE COPIED, REPRODUCED, OR DIVULGED TO UNAUTHORIZED PERSONS WITHOUT THE EXPRESS WRITTEN CONSENT OF WELDON TECHNOLOGIES, INC. AS IT IS BEING PROVIDED SOLELY FOR THE CONVENIENCE OF THE USER AND SHALL BE RETURNED TO WELDON TECHNOLOGIES, INC. UPON REQUEST.

REVISIONS					
REV	ECN	DESCRIPTION	DATE	BY	APVD
A	R0794	RELEASE FOR PRODUCTION	3/25/08	TB	ST



THIS LAMP ASSEMBLY COMPLIES WITH FMVSS 108 AND ANY SAE STANDARD REFERENCED THEREIN WITH RESPECT TO THE FOLLOWING:  
 A.) CLEARANCE/SIDEMARKER LAMPS PER SAE J592e JUL72  
 B.) PLASTIC MATERIALS MATERIALS PER SAE J576 JUL91  
 C.) COLOR PER SAE J578c FEB77  
 D.) TEST METHODS PER SAE J575e AUG70

WIRE COLOR	FUNCTION	CURRENT @ 14 VDC
RED	TURN SIGNAL (+)	180-210mA
BLACK	SIDEMARKER (+)	15-25mA
WHITE	GROUND (-)	--

UNLESS OTHERWISE SPECIFIED DIMENSIONS ARE IN mm TOLERANCES ARE: XXX - ±0.13 XX - ±0.5 ANGLES - ±0.5°		CAD GENERATED DRAWING. DO NOT MANUALLY UPDATE		WELDON TECHNOLOGIES, INC.	
APPROVALS		DATE		L.E.D. SIDE TURN SIGNAL CUSTOMER DRAWING	
DRAWN: BARNETT		1/21/08			
CHECKED: ST		3/12/08			
QUAL ENG					
MATERIAL		MFG ENG		SIZE: B	PART NO.: C9186-8580-29
FINISH		PROJ. NO.: 00144		SCALE:	REV. A
DO NOT SCALE DRAWING				WELDON COMPUTER GRAPHICS SHEET 1 OF 1	