

# DIMENSIONS

## M6 SERIES

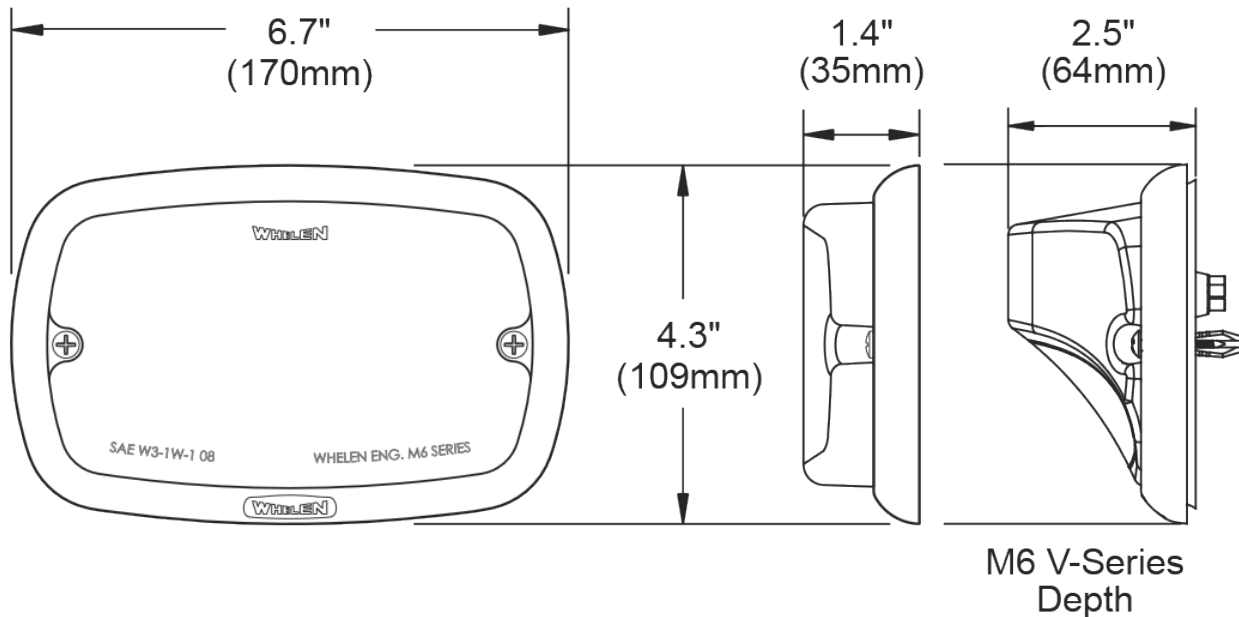
M6 Standard: 4.3" (109mm) H x 6.7" (109mm) W x 1.4" (35mm) D

# SPECIFICATIONS

<b>Amps</b>	<i>Simultaneous: 2.2 (peak), .9 (average)</i> <i>Alternating: 1.1 (peak), .45 (average)</i> <b>Utility Models</b> <i>B/T/T: .84 (average Brake/Turn), .06 (average Tail)</i> <i>Amber Turn Signal: .75 (average)</i> <i>Back-up Light: 1.6 (average)</i> <i>Gradient Scenelight: 2.0 (average)</i>
<b>Light Options</b>	Single or Split color Steady-burn Internal flasher <sup>+</sup>
<b>Lenses</b>	Clear, Color
<b>Flash Patterns</b>	Single color: 159 Scan-Lock™ flash patterns Double color: 64 Scan-Lock flash patterns
<b>Warranty</b>	Five year warranty

\* Number of sequencing combinations vary by model

+ Sync or low power functions



M6 V-Series  
Depth