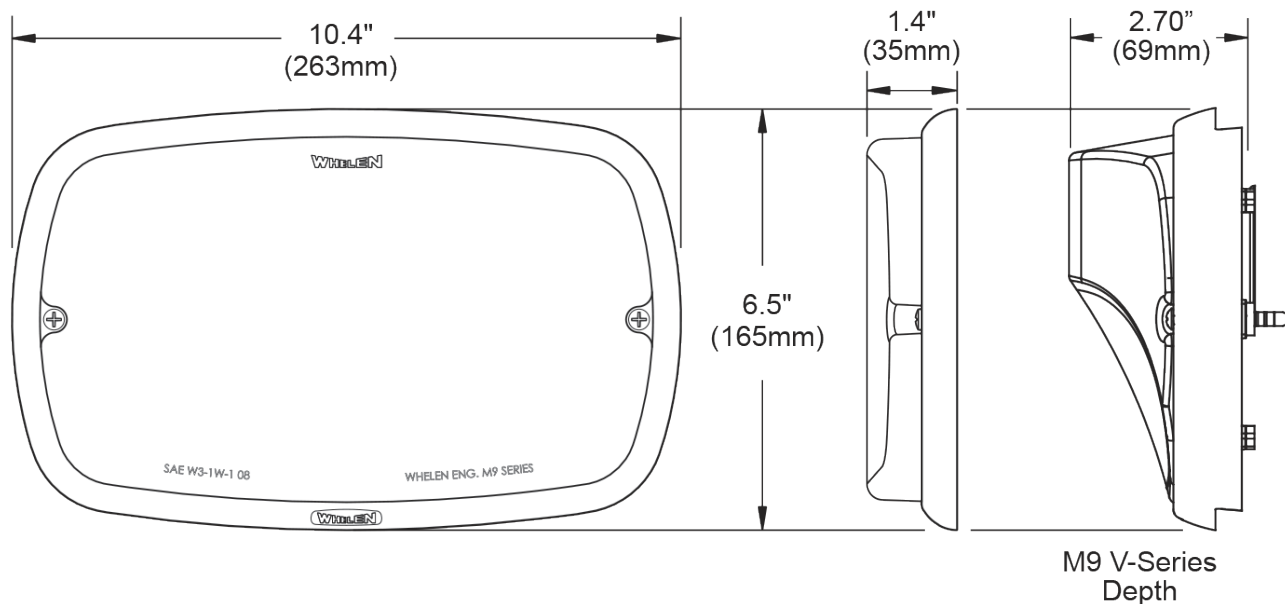


DIMENSIONS

M9 Standard: 6.5" (165mm) H x 10.4" (263mm) W x 1.4" (35mm) D

SPECIFICATIONS

Amps	<p><i>Simultaneous: 3.0 (peak), 1.2 (average) - Alternating: 1.2 (peak), .6 (average)</i></p> <p>DUO™ Series <i>DUO Warning: 2.4 per color</i></p> <p>Combo Warning/Scenelight <i>Combination Warning/Scenelight: 1.58 (Warning average), 1.53 (Scenelight average)</i> <i>DUO Combination Warning/Scenelight: 1.58 (Warning average per color), 1.53 (Scenelight average)</i></p> <p>Utility Models <i>Scenelight, including flange: 6.0 (average)</i> <i>B/T/T: .75 (Brake/Turn average), .55 (Tail average)</i> <i>Amber turn signal: 1.2 (average)</i> <i>Back-up light: 1.8 (average)</i> <i>Scenelight: 6.0 (average)</i></p>
Light Options	<p>Single or Split color Steady-burn Internal flasher⁺</p>
Lenses	<p>Clear Color</p>
Flash Patterns*	<p>Single color: 159 Scan-Lock™ flash patterns Double color: 64 Scan-Lock flash patterns</p>
Certifications	<p>SAE Class 1 (warning) KKK-1822F NFPA 1901 NFPA 1917 SAE EC65</p>
Warranty	<p>Ten year warranty</p>



M9 V-Series
Depth