

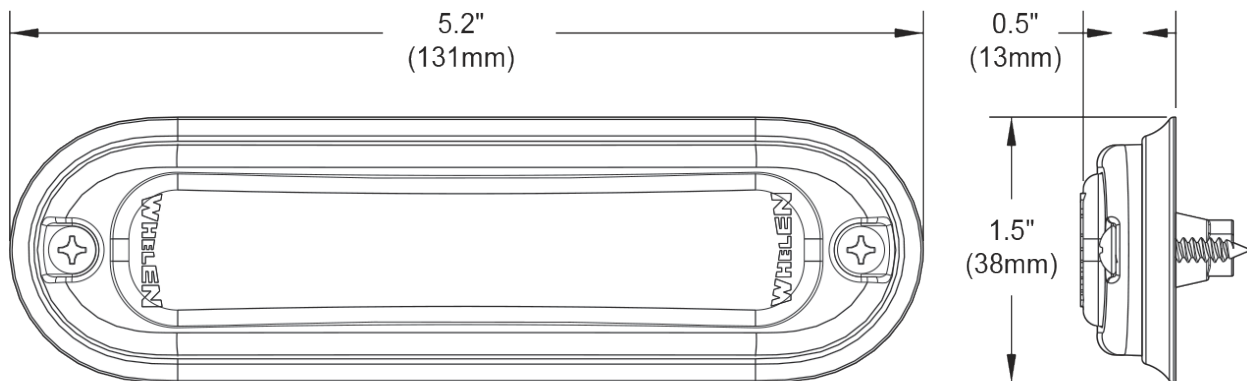
# ***DIMENSIONS***

## **ION T**

1.5" (38mm) H x 5.2" (131mm) W x 1.5" (38mm) D

# ***T-SERIES SPECIFICATIONS***

<b>Voltage</b>	12 VDC
<b>Amps</b>	SOLO: 0.82 amps (peak), 0.33 amps (average) DUO: 0.72 amps (peak), 0.28 amps (average)
<b>Flash Patterns</b>	SOLO: 25 Scan-Lock flash patterns DUO: 69 Scan-Lock flash patterns
<b>Certifications</b>	SAE Class 1 IP67
<b>Warranty</b>	Ten year warranty



ION-T Series